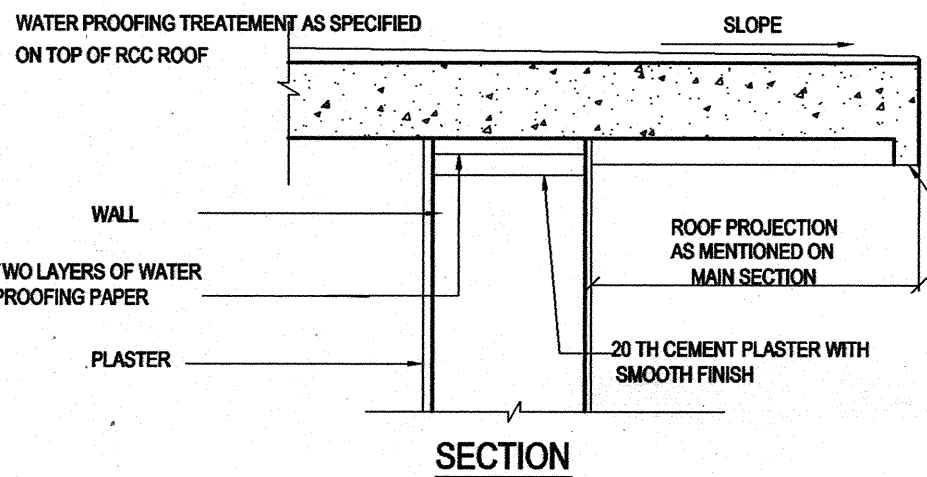
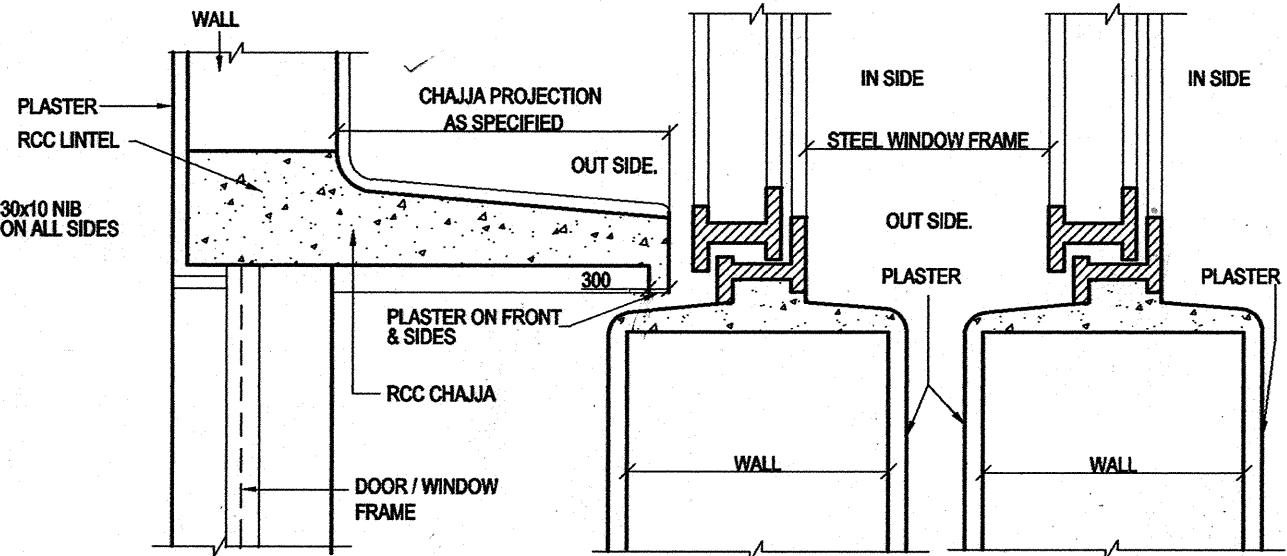


NOTES

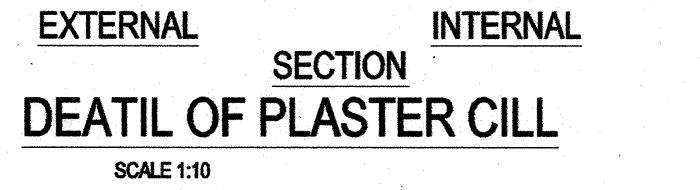
- 1 CONTRACTOR TO CHECK & VERIFY ALL DIMENSIONS BEFORE EXECUTION OF THE WORK
- 2 ALL DIMENSIONS GIVEN ARE IN MILLIMETERS UNLESS OTHERWISE STATED.
- 3 FIGURED DIMENSION SHALL BE FOLLOWED
- 4 THIS DRG IS BASED ON DRG NO CEPZ/86/TD/15 SHT1/1 DATED 20.5.86
- 5 CURTAIN ROD FOR PELMET BOX
 1) FOR OFFICERS QR 20mm Ø ALLUMINIUM CURTAIN ROD FIXED WITH ALUMINIUM SOCKET SHALL BE PROVIDED.
 2) FOR JCO'S/ORS ETC 20 mm Ø MS CONDUCT CURTAIN RODS FIXED WITH M.S. SOCKET SHALL BE PROVIDED



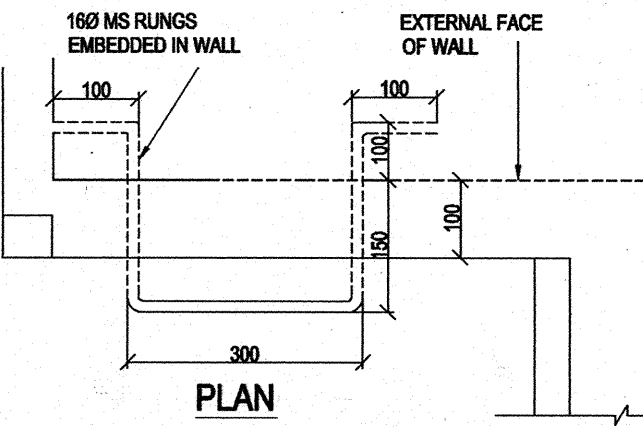
DEATIL OF ROOF SLAB ROJECTION
SCALE : 1:10



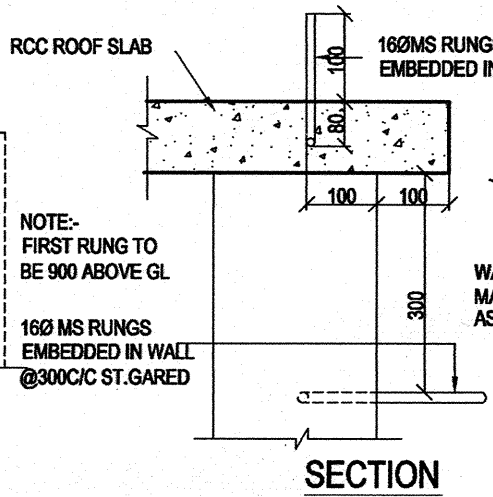
SECTION DEATIL OF RCC CHAJJA
SCALE 1:10



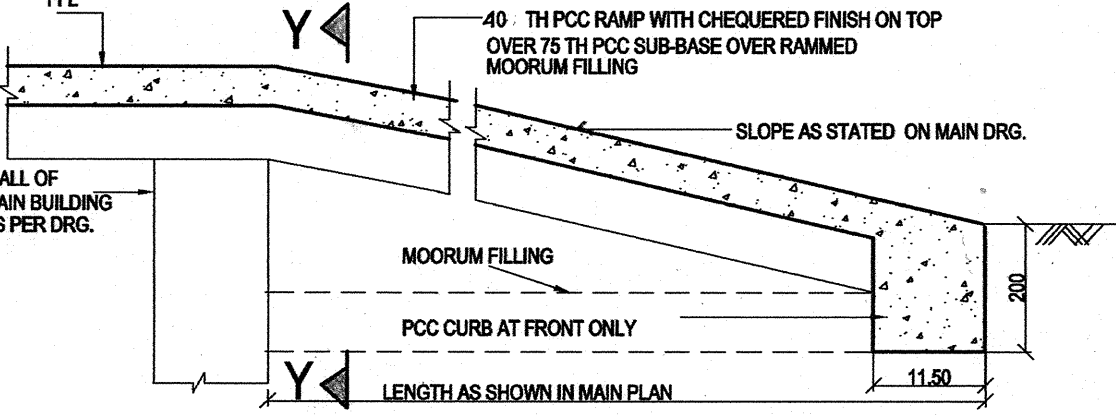
EXTERNAL SECTION DEATIL OF PLASTER CILL
SCALE 1:10



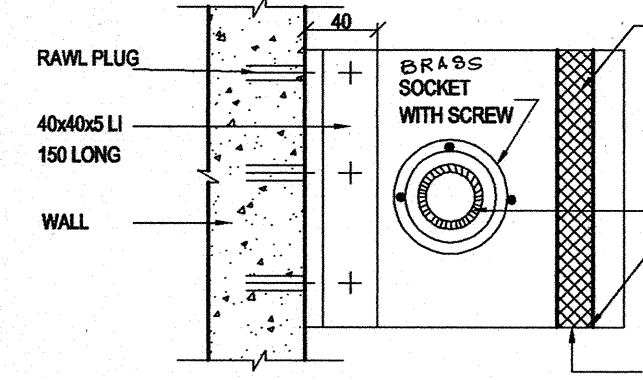
DEATIL OF MS RUNG
SCALE 1:10



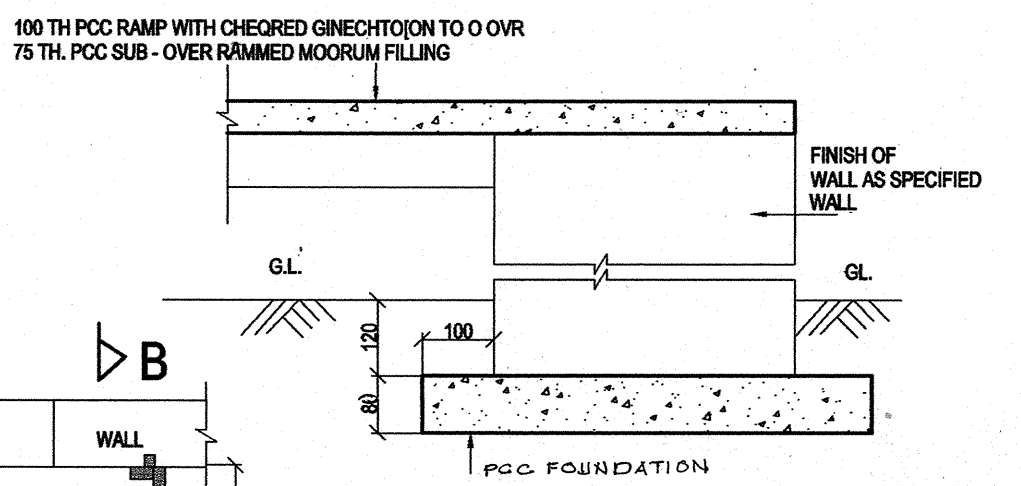
SECTION DEATIL OF MS RUNG



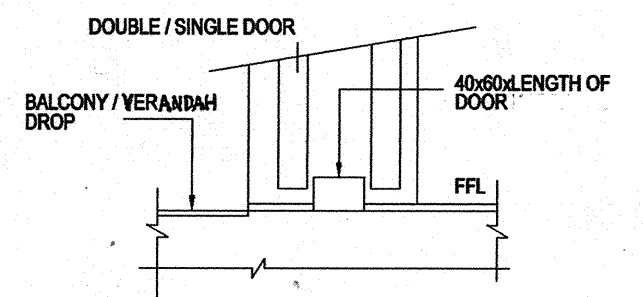
SECTION DEATIL OF RAMP
SCALE : 1:10



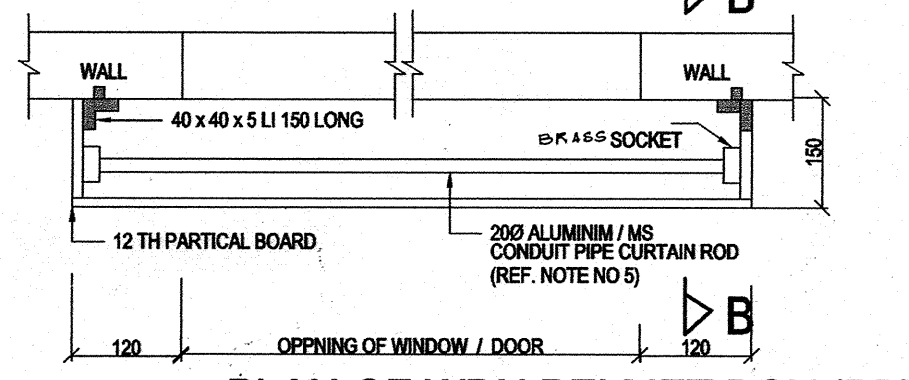
SECTION B-B DEATIL OF MS RUNG



SECTION ON 'Y Y' DEATIL OF RAMP
SCALE -1:10



STONE THRESHOLD FOR EXTERNAL DOOR : SEC. NOT TO SCALE



PLAN OF WDN PELMET BOX (PB)
SCALE 1:10

S.NO	DESCRIPTION	DATE	SIGN
------	-------------	------	------

REVISION NOTE

MISCELLANEOUS DETAILS

DETAIL OF PELMET BOX, RAMP MS RUNG , ROOF SLAB PROJECTION RCC CHAJJA, PLASTER CILL ETC

DRN	R.S.G	CHIEF ENGINEER PUNE ZONE PUNE	DATE
TCD	R.S.G		30.9.88
CKD			SCALE
CD			AS SHOWN

COMPARED BY BINDRA DATE 09-4-2003

ASTT. ARCHITECT
 SENIOR ARCHITECT FOR CEPZ PUNE.
 DRG. NO. CEPZ/88/TD/4M 1/4